

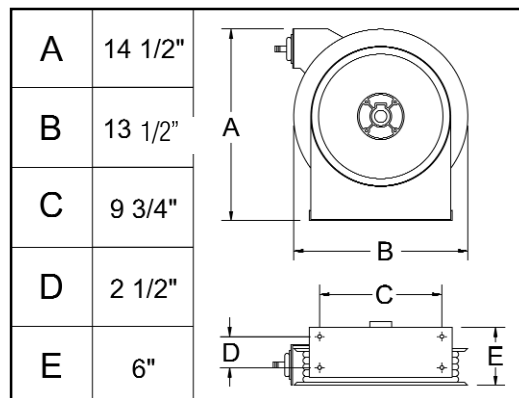
HOSE REEL

OPERATING INSTRUCTIONS & PARTS LIST

MODELS HIGH PRESSURE

SAFETY

- I. Do not use reels at higher pressures or temperatures than listed on the back of this bulletin.
- II. Remove all spring tension before beginning disassembly process.



Four 5/16" Mounting holes.

INSTRUCTIONS

INSTALLATION: A flexible hose connection must be used between the hose reel inlet and the source of supply to prevent possible misalignment and binding.

MOUNTING: The hose reel is equipped with a universal mounting bracket so that it can be mounted on the floor, wall or ceiling; whichever place is convenient. The hose guide arm can be moved to the position desired by removing the screws fastening the guide bracket to the reel base. Shift the guide arm bracket so the hose comes off the reel at the desired position and replace the screws.

LUBRICATION: Hose reel spring and bearings are factory lubricated and require no further lubrication.

REPLACING HOSE:

1. Wind spool flange clockwise-facing swivel-until spring is tight.
2. Back off three turns and latch.
3. Insert hose through roller guide and hole in spool flange.
4. Connect hose fitting to swivel joint and secure hose with clamps.

ADJUSTMENTS: To adjust spring tension, add or remove wraps of hose from the spool, one wrap at a time until desired tension is obtained.

REPAIRS: Extensive repairs should be performed only by an authorized serviceman or factory to avoid damage which may void your warranty. Remove all spring tension before beginning disassembly process.
