

GENERAL

The Badger electronic lube meter is designed specifically to dispense motor oils (S.A.E. 5-50), gear oils (S.A.E. 80-240), automatic transmission fluid, antifreeze (Ethylene Glycol), brake fluid, engine coolant, and windshield wiper fluid solutions. Modular design, low cost, lightweight and rugged make the OG the best choice for overhead reel systems.

The electronic register module contains a microprocessor board powered by a lithium battery. It can be programmed to dispense in pints, quarts, liters, or gallons and will totalize in liters or gallons. The meter calibration factor is determined during factory test. The meter can be recalibrated in the field for fluids or different viscosity if required. A 5-digit liquid crystal display, accurate to the second decimal place, shows the exact amount of fluid dispensed. The entire register module is protected from the wear and tear of normal shop use by a rugged, glass filled, shock resistant, nylon housing. An optional rubber boot is available.

As fluid passes through the metering chamber by entering the inlet port, it forces the internal gears to rotate and exits through the outlet port. Each rotation of the gear displaces a given volume of fluid.

The display shows the amount of fluid dispensed since the last time the reset button was pushed. Pushing the reset button will reset the display to zero for the next dispense.

Pushing and holding the total button will display the total amount of fluid dispensed throughout the meter over its life.

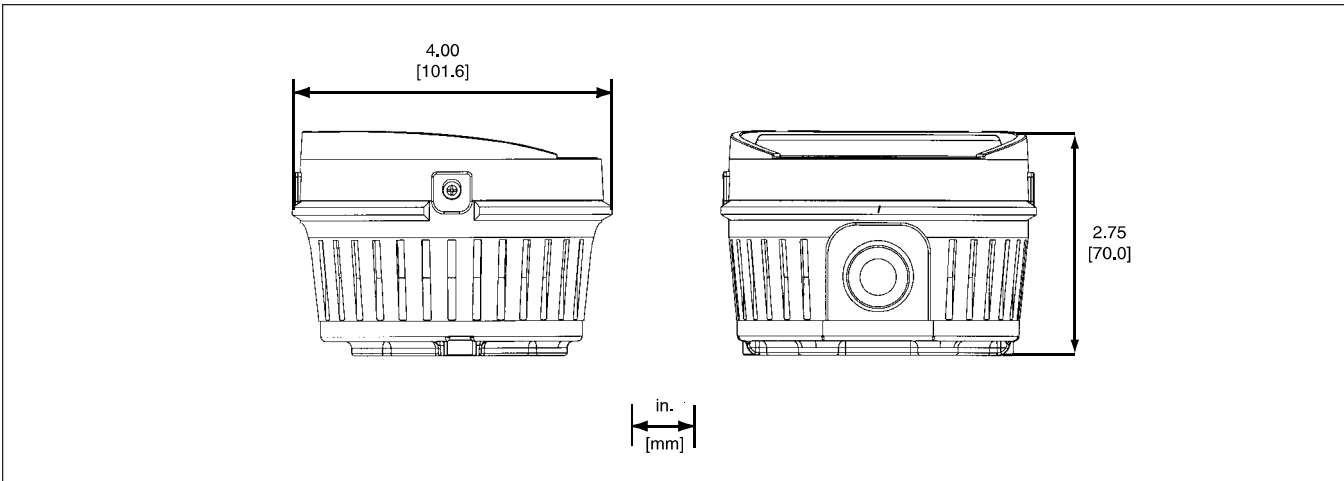
The unit of measure can be changed using the Total and Reset buttons on the front of the meter. To change the unit of measure, press and release the Total button 3 times and then press and release the Reset button 3 times. Then wait 2 seconds and the unit of measure will flash. Push the Reset button to select the desired unit of measure. To save the unit of measure, push the Total button and the display will flash 3 times and then go blank, the new unit of measure setting has now been saved. Push the Reset button to bring the display back on.



▲CAUTION

- 1500 PSI rating
- 1/2" threads (NPT or BSP Available)
- Compact Foot Print
- Oval Gear Driven Meter
- Large LCD Display with Two Decimal Point Precision
- Dispenses in Pints, Quarts, Liters, or Gallons
- Totalization in Gallons or Liters
- Accuracy to $\pm 0.5\%$
- Push Button Calibration
- Low Battery Indicator
- Field Replaceable Battery
- Scale Factor Saved in Non-Volatile Memory
- Total Dispense Saved in Non-Volatile Memory





SPECIFICATIONS

	OG Oil Meter		Brake Fluid/Waste Oil Meter	
	English	Metric	English	Metric
Maximum Flow *	8 gpm	35 liters/minute	8 gpm	35 liters/minute
Minimum Flow *	0.25 gpm	1.0 liters/minute	0.25 gpm	1.0 liters/minute
Operating Pressure (Maximum)	1500 psi	103 bar	1500 psi	103 bar
Operating Pressure (Minimum)	5 psi	.35 bar	5 psi	.35 bar
Operating Temperature (Maximum)	140° F	60° C	140° F	60° C
Operating Temperature (Minimum)	20° F	-7° C	20° F	-7° C
Accuracy	+/- 0.5%	+/-0.5%	+/- 0.5%	+/-0.5%
Weight	2.0 lbs.	0.9 kg	2.0 lbs.	0.9 kg
Inlet & Outlet Connections	1/2" NPTF	1/2" BSPP	1/2" NPTF	1/2" BSPP

* Tested with Mobil DTE-25 motor oil at ambient temperature. Min. Max. flow rates will vary with fluid viscosity.

	Engine Coolant/Wiper Fluid	
	English	Metric
Maximum Flow *	6 gpm	23 liters/minute
Minimum Flow *	1.0 gpm	3.8 liters/minute
Operating Pressure (Maximum)	1500 psi	103 bar
Operating Pressure (Minimum)	5 psi	.35 bar
Operating Temperature (Maximum)	110° F	45° C
Operating Temperature (Minimum)	20° F	-7° C
Accuracy (Non-Approved Version)	+/- 1.0%	+/-1.0%
Accuracy (Approved Version)	n/a	n/a
Weight	2.0 lbs.	0.9 kg
Inlet & Outlet Connections	1/2" NPTF	1/2" BSPP

* Tested with water at ambient temperature.

Please ensure that the fluid is properly filtered before entering meter. Foreign particles will cause inaccuracy as well as malfunction of meter.



Please see our website at www.badgermeter.com for specific contacts.

Due to continuous research, product improvements and enhancements, Badger Meter reserves the right to change product or system specifications without notice, except to the extent an outstanding contractual obligation exists.



BadgerMeter, Inc.

P.O. Box 245036, Milwaukee, WI 53224-9536
 Telephone: (414) 355-0400 / (800) 456-5023
 Fax: (414) 355-7499 / (866) 613-9305
www.badgermeter.com