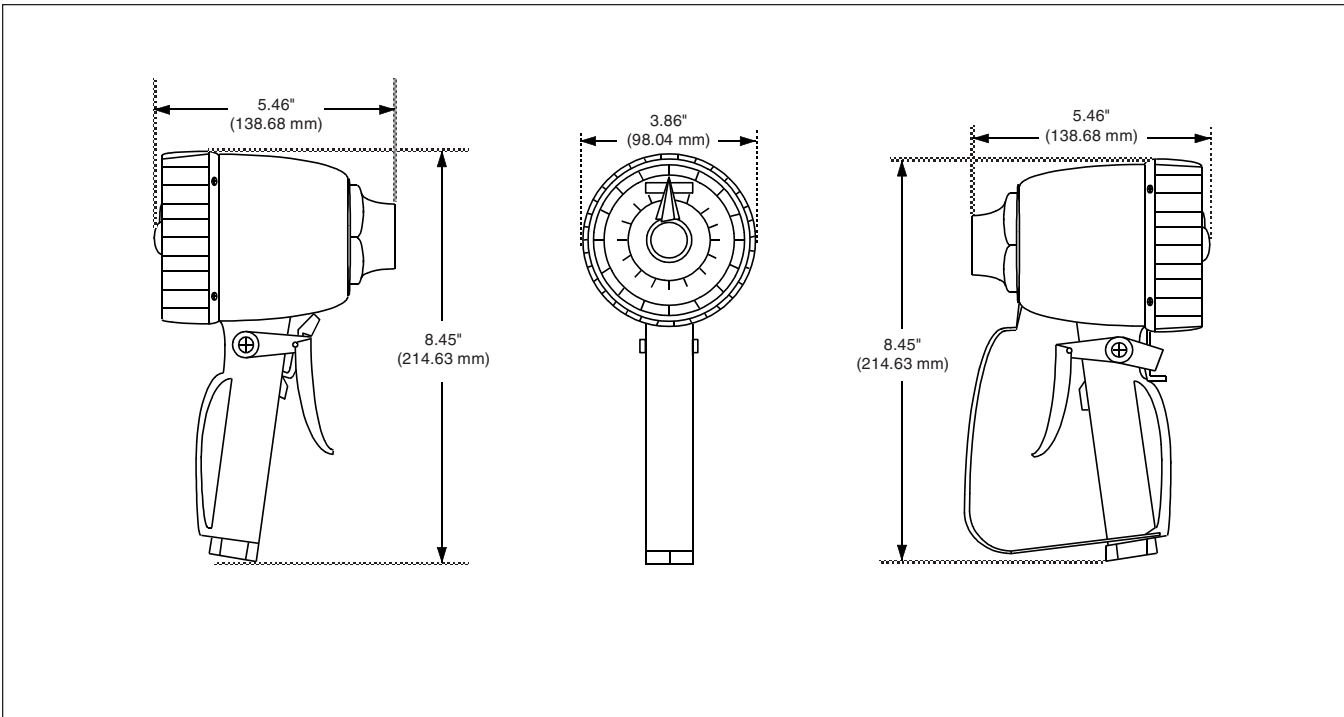


DESCRIPTION

The Badger® pistol grip models are designed specifically for servicing automobiles, trucks, buses, construction equipment, and similar applications. Their perfect balance, lightweight, ruggedness, and comfortable grip make them the best choice for use on overhead hose reels. They can handle a variety of petroleum products such as automatic transmission fluid, S.A.E. 5 to 50 motor oils, S.A.E. 80 to 240 gear oils, and antifreeze fluid (ethylene glycol). Cast aluminum housings are coated with a oven baked epoxy finish to resist scratches. A high impact resistant nylon shroud protects the knob and dial from damage. Dials are available in a variety of English and Metric units of measure. Inventory control is easily maintained with the non-resettable totalizing register.

After all entrapped air and/or foreign particles are removed from the supply line, clean oil continuously passes through the metering chamber by entering the inlet port, displacing the piston, and exiting the outlet port. Each oscillation of the piston equates to a given amount of fluid. Controlled clearances between the piston and chamber wall insure minimum leakage. As the piston oscillates, its center hub rotates the output shaft through a gear train. A pointer knob affixed to the output shaft rotates around a graduated dial, indicating the amount dispensed. On the standard model PG, the knob is reset counterclockwise to zero after delivery. However, on the preset batch model PGB, the knob is turned counterclockwise to the desired value, the trigger is depressed and locked in the "on" position. The pointer knob rotates clockwise toward zero, releasing the trigger latch, which automatically stops the flow.





32 oz. - 16 qt.	Quarts
8 Pints	Pints
1 - 16 Quarts	Quarts
4 - 16 Quarts	Quarts
4 - 16 Quarts	Gallons
1 - 10 Liters	Liters
4 - 10 Liters	Liters
1 - 16 Gallons	Gallons

16 Quarts	Quarts
16 Qt. - Liter	Quarts
60 Quarts	Quarts
60 Quarts	Gallons
16 Liters	Liters
30 Liters	Liters
60 Liters	Liters
15 Gallons	Gallons
60 Gallons	Gallons

	English	Metric
--	---------	--------

Flow (Max.)*	4 GPM	15 liters/min.
Flow (Min.)*	0.4 GPM	1.5 liters/min.
Operating Pressure (Max.)	1000 PSI	70 Bar
Operating Temperature (Max.)	110° F	45° C
Accuracy: Model PG	±0.65%	±0.65%
Accuracy: Model PGB & AF	±3.0%	±3.0%
Weight	3.3 lbs.	1.5 kg.
Inlet and outlet connections	1/2" NPTF	1/2" BSPP

* Tested with Mobil DTE-25 motor oil. Min.-Max. flow rates will vary with fluid viscosity.

Badger® is a registered trademark of Badger Meter, Inc.



Please see our website at www.badgermeter.com for specific contacts.



BadgerMeter, Inc.
 P.O. Box 245036, Milwaukee, WI 53224-9536
 Telephone: (414) 355-0400 / (800) 456-5023
 Fax: (414) 355-7499 / (866) 613-9305
www.badgermeter.com